

# SMD Inductors(Coils) For Power Line(Wound, Magnetic Shielded)

Conformity to RoHS Directive

## SPM Series SPM6530

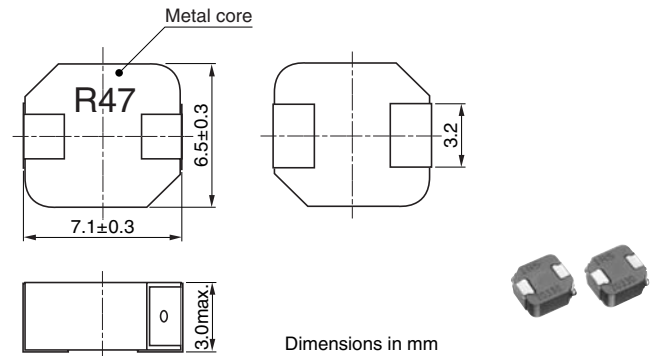
### FEATURES

- Small footprint and Low profile design  
Footprint: 7.1×6.5mm  
Height: 3.0mm max.
- High power handling capability:  
Small copper loss  
Using large saturation induction of Fe-based metals
- Wide operating temperature range due to high Curie temperature of around 550°C.
- Available for automatic mounting in tape and reel package.

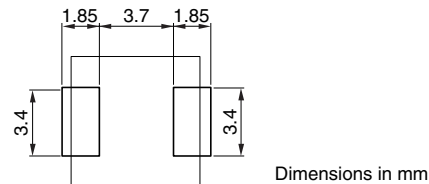
### APPLICATIONS

- Note book type computers, VRMs, etc.

### SHAPES AND DIMENSIONS



### RECOMMENDED PC BOARD PATTERN



### ELECTRICAL CHARACTERISTICS

Part No.	Inductance(μH)			Test frequency (kHz)	DC resistance (mΩ)		Rated current(A)*	
	[at 0Adc]	tolerance (%)	Based on inductance change typ.		max.	typ.	Based on inductance change	Based on temperature rise typ.
SPM6530T-R25M230	0.25	±20	0.2	100	2.31	2.1	28.5	23
SPM6530T-R47M170	0.47	±20	0.38	100	3.63	3.3	20.5	20
SPM6530T-R68M140	0.68	±20	0.54	100	5.39	4.9	16.6	16
SPM6530T-1R0M120	1	±20	0.8	100	7.81	7.1	14.1	13
SPM6530T-1R5M100	1.5	±20	1.2	100	10.67	9.7	11.5	11
SPM6530T-2R2M	2.2	±20	1.76	100	19	17.3	8.4	8.2
SPM6530T-3R3M	3.3	±20	2.64	100	29.7	27	7.3	6.8
SPM6530T-4R7M	4.7	±20	3.76	100	39.4	35.8	6.2	5.6

\* Rated current: Value obtained when current flows and the temperature has risen to 40°C or when DC current flows and the nominal value of inductance has fallen by 20%, whichever is smaller.

- Operating temperature range: -40 to +125°C (Including self-temperature rise)
- The cleaning agent can not be used for these parts.

• Conformity to RoHS Directive: This means that, in conformity with EU Directive 2002/95/EC, lead, cadmium, mercury, hexavalent chromium, and specific bromine-based flame retardants, PBB and PBDE, have not been used, except for exempted applications.

• All specifications are subject to change without notice.